

MASON INDUSTRIES, Inc.

Manufacturers of Vibration Control Products
 NY Mailing Address: PO Box 410, Smithtown, NY 11787
 350 Rabro Drive 2101 W. Crescent Ave., Suite D
 Hauppauge, NY 11788 Anaheim, CA 92801
 631/348-0282 714/535-2727
 FAX 631/348-0279 FAX 714/535-5738
 Info@Mason-Ind.com Info@MasonAnaheim.com

CERTIFIED FOR

JOB NAME : _____

CUSTOMER : _____

CUSTOMER P.O. : _____

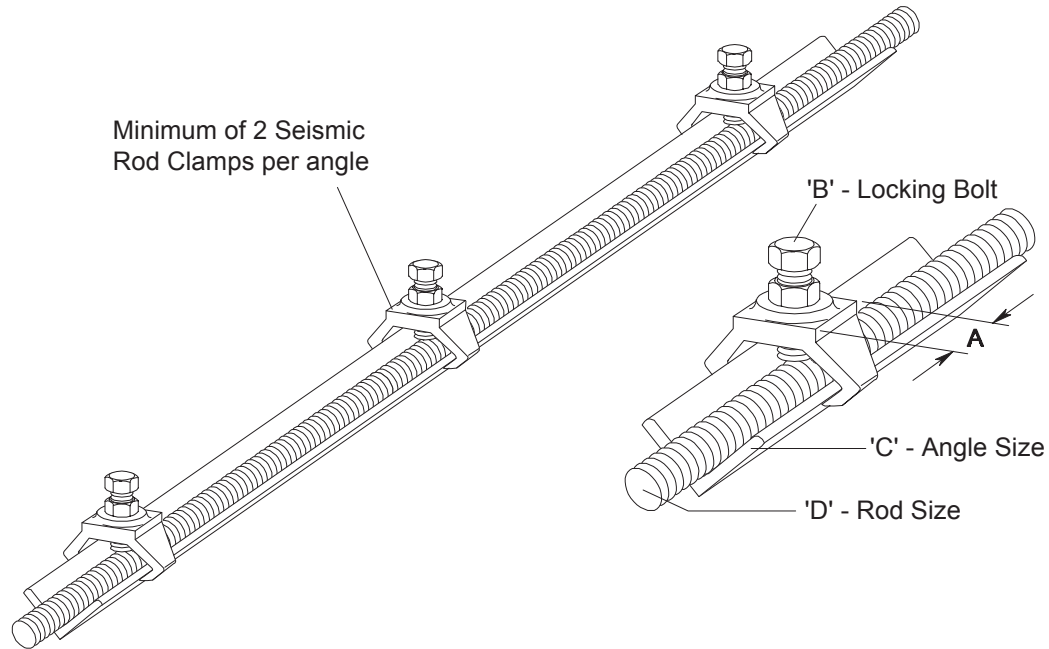
MASON M.I. : _____

DWG. NO. : _____

TYPE

SRC

Seismic
Rod
Clamps



APPROVED

California Office of Statewide
Health Planning and Development

FIXED EQUIPMENT ANCHORAGE

OPA-0349 AUGUST 5, 2002



*Valid for 3 Years Maximum

Bill Staehlin
Bill Staehlin (916) 654-3362

TYPE SRC DIMENSIONS (inches)

Size	A	B	C	Acceptable Rod Size D
SRC-1	1 3/8	1/2	1 x 1 x 1/4	1/4, 3/8, 1/2, 5/8
SRC-1 1/2	1 9/16	5/8	1 1/2 x 1 1/2 x 1/4	1/2, 5/8, 7/8, 1
SRC-2	1 3/4	5/8	2 x 2 x 1/4	7/8, 1, 1 1/8, 1 1/4

CERTIFICATION DATA

TAG : _____

UNIT : _____

DWN : _____ CHKD: _____ DATE : _____

DWG NO. : _____