

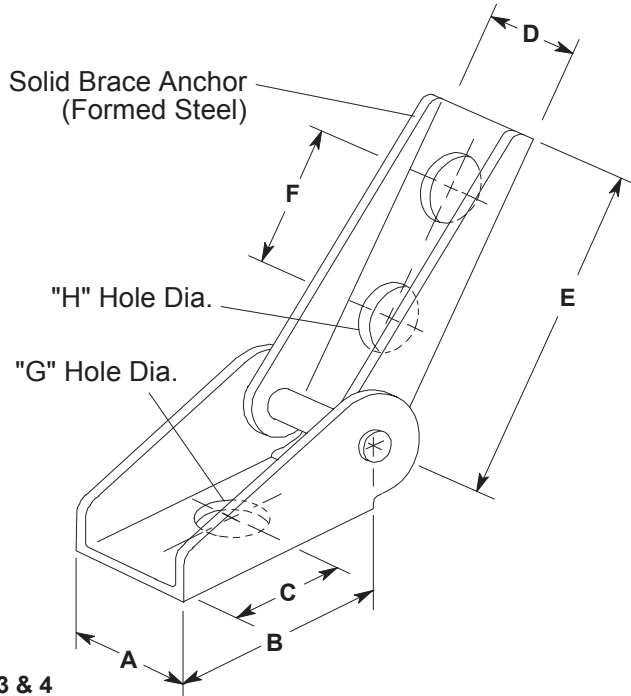


MASON INDUSTRIES, Inc.

Manufacturers of Vibration Control Products
 350 Rabro Drive 2101 W. Crescent Ave., Suite D
 Hauppauge, NY 11788 Anaheim, CA 92801
 631/348-0282 714/535-2727
 FAX 631/348-0279 FAX 714/535-5738
 Info@Mason-Ind.com Info@MasonAnaheim.com
 www.Mason-Ind.com

JOB NAME _____
 CUSTOMER _____
 CUSTOMER P.O. _____
 MASON M.I. _____
 DWG. NO. _____

SSB
 Seismic
 Solid Brace
 Anchor



TYPE SSB ANCHOR RATINGS

Size	OSHPD Max. Ratings	
	(lbs)	(kg)
SSB-3	5000	2268
SSB-4	8750	3969

Ratings are from test data and calculations used to obtain California OSHPD Preapproval Number OPA-0349.

Testing was supervised and certified by an independent engineer registered in the state of California.

Ratings are based on attachment to steel.
 Rating will be controlled by attachment methods to concrete.

Preferred installation angle is 45°.
 Maximum variation ± 15°.

APPROVED

California Office of Statewide
 Health Planning and Development

**FIXED EQUIPMENT ANCHORAGE
 OPA-349 AUGUST 5, 2002**



Bill Staehlin
 Bill Staehlin (916) 654-3362

TYPE SSB ANCHOR DIMENSIONS (inches)

Size	A	B	C	D	E	F	G	H
SSB-3	2	3 1/2	1 3/4	1 7/16	4 3/4	2	13/16	9/16
SSB-4	3 1/8	5	2 1/2	1 15/16	5 3/4	2 1/4	1 5/16	1 1/16

TYPE SSB ANCHOR DIMENSIONS (mm)

Size	A	B	C	D	E	F	G	H
SSB-3	51	89	44	37	121	51	21	14
SSB-4	79	127	64	49	146	57	33	17

TYPE	QTY.	TAG