



**MASON INDUSTRIES, Inc.**  
**MERCER RUBBER Co.**

350 Rabro Drive, Hauppauge, NY 11788  
Mason- 631/348-0282 • Info@Mason-Ind.com  
Mercer- 631/582-1524 • Info@Mercer-Rubber.com  
FAX 631/348-0279



**CERTIFIED FOR**

**JOB NAME** \_\_\_\_\_

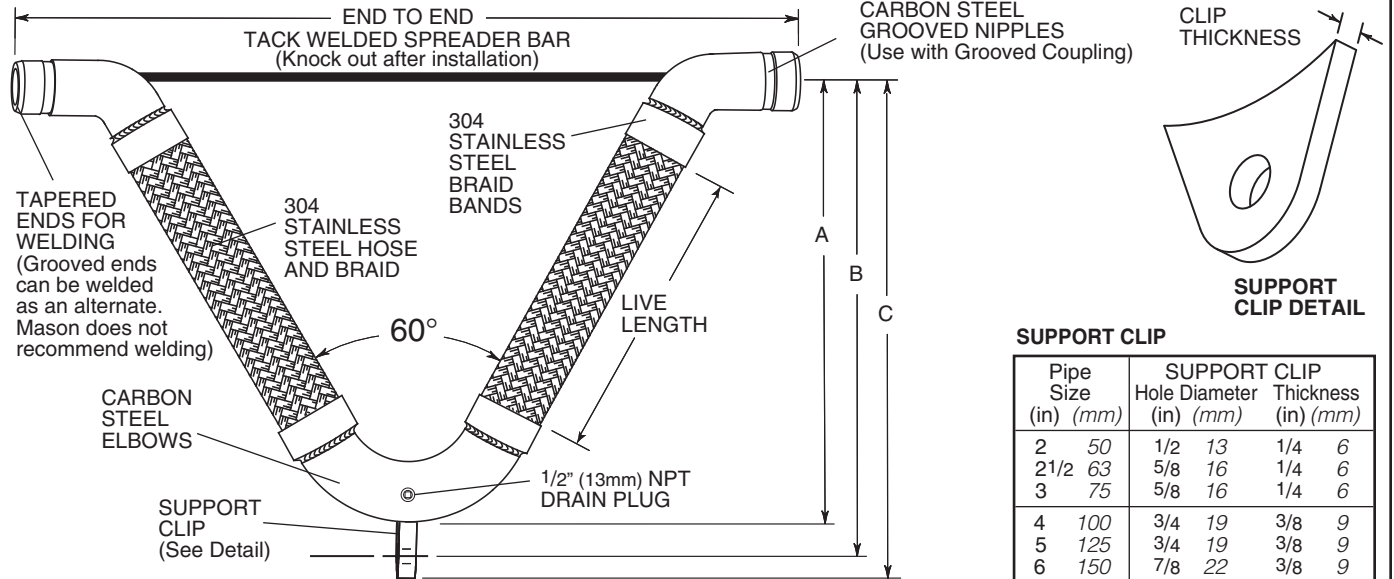
**CUSTOMER** \_\_\_\_\_

**CUSTOMER P.O.** \_\_\_\_\_

**MASON M.** \_\_\_\_\_ **DWG No.** \_\_\_\_\_

**VGN**

**EQUI-V  
HOSE with  
GROOVED  
NIPPLES**



**NON-VOLATILE FLUIDS  
RATED PRESSURES @  
ELEVATED TEMPERATURES (psi) (kg/cm<sup>2</sup>)**

Hose Size (in) (mm)	250°F	350°F	450°F
	121°C	176°C	232°C
	Factor 0.92	Factor 0.86	Factor 0.81
2 50	330 23	310 21	290 20
2 1/2 65	270 19	250 17	235 16
3 80	260 18	240 16	230 16
4 100	210 15	200 14	190 13
5 125	190 13	180 12	170 11
6 150	190 13	180 12	170 11
8 200	170 11	160 11	150 10
10 250	160 11	150 10	140 9
12 300	160 11	150 10	140 9

**SATURATED STEAM  
RECOMMENDED PRESSURE LIMITS**

Size (in) (mm)	Max Gauge (psi) (kg/cm <sup>2</sup> )	Temp Reference (F) (°C)
2 50	150 11	362 183
2 1/2 65	125 9	355 179
3 80	125 9	355 179
4 100	125 9	355 179
5 125	100 7	337 169
6 150	100 7	337 169
8 200	75 5	320 160
10 250	60 4	307 153
12 300	60 4	307 153

Our steam service ratings are very low in the interest of safety although our 70°F (21°C) pressure ratings are as high or higher than our competitors. All locations where failure could lead to personal injury or suffocation must be avoided. In dangerous locations we suggest housed expansion joints, solid loops, ball joints, packed devices etc. rather than thin walled flexible products regardless of manufacturer.

Consult factory with full location description as well as service conditions for higher pressure or temperature applications.

304 SS can be used up to 850°F (454°C) in applications such as engine exhaust.

**SUPPORT CLIP**

Pipe Size (in) (mm)	SUPPORT CLIP			
	Hole Diameter (in) (mm)	Thickness (in) (mm)		
2 50	1/2 13	1/4 6		
2 1/2 65	5/8 16	1/4 6		
3 80	5/8 16	1/4 6		
4 100	3/4 19	3/8 9		
5 125	3/4 19	3/8 9		
6 150	7/8 22	3/8 9		
8 200	1 25	1/2 13		
10 250	1 25	1/2 13		
12 300	1 1/8 28	1/2 13		

**VGN DIMENSIONS AND PRESSURE RATINGS (British Units)  
±4" ALL DIRECTIONAL SEISMIC MOVEMENT**

Type	Pipe Size & End to End <sup>†</sup> (in)	Live Length (in)	Corrugations per foot	A (in)	B (in)	C (in)	Rated Pressure @70°F <sup>††</sup> (psi)
VGN	2 X 37	20	68	231/4	241/8	243/4	360
VGN	2 1/2 X 41	22	56	26	271/8	28	290
VGN	3 X 46	24	54	287/8	30	303/4	280
VGN	4 X 55	26	32	321/2	333/4	347/8	230
VGN	5 X 58	30	30	38	393/4	403/8	200
VGN	6 X 72	33	29	425/8	44	451/4	200
VGN	8 X 86	36	26	491/4	503/4	521/8	180
VGN	10 X 105	42	25	581/2	60	613/8	170
VGN	12 X 120	48	24	673/4	693/8	703/4	170

**VGN DIMENSIONS AND PRESSURE RATINGS (Metric Units)  
±102mm ALL DIRECTIONAL SEISMIC MOVEMENT**

Type	Pipe Size & End to End <sup>†</sup> (mm)	Live Length (mm)	Corrugations per meter	A (mm)	B (mm)	C (mm)	Rated Pressure @21°C <sup>††</sup> (kg/cm <sup>2</sup> )
VGN	50 X 925	500	223	603	613	594	25
VGN	65 X 1025	550	184	660	689	700	20
VGN	80 X 1150	600	177	733	762	769	19
VGN	100 X 1375	650	105	826	857	872	16
VGN	125 X 1450	750	98	965	1010	1009	14
VGN	150 X 1800	825	95	1083	1118	1131	14
VGN	200 X 2150	900	85	1251	1289	1303	12
VGN	250 X 2625	1050	82	1486	1524	1543	12
VGN	300 X 3000	1200	79	1721	1762	1769	12

<sup>†</sup>End to End Tolerances: Sizes 2" - 4"(50 - 100mm), ±1/4"(6mm); Sizes 5" - 8"(125 - 200mm), ±3/8"(9mm); Sizes 10"(250mm) and larger, ±1/2"(13mm). <sup>††</sup>Minimum Burst is four times the Rated Pressure. Safety factor of 4.

**CERTIFICATION DATA**

QUANTITY	SIZE	TAG

**DWN**      **CHKD**      **DATE**

**DWG No.**