

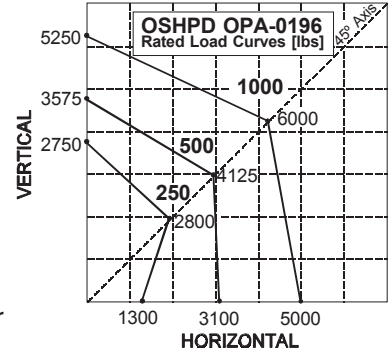
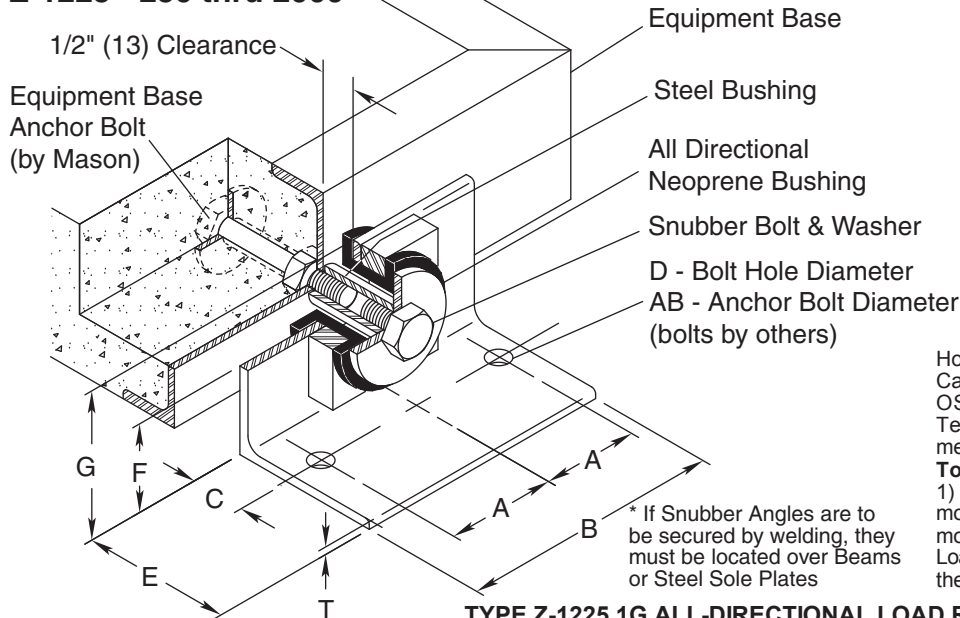
# MASON INDUSTRIES, Inc.

Manufacturers of Vibration Control Products  
 NY Mailing Address: PO Box 410, Smithtown, NY 11787  
 350 Rabro Drive 2101 W. Crescent Ave., Suite D  
 Hauppauge, NY 11788 Anaheim, CA 92801  
 631/348-0282 714/535-2727  
 FAX 631/348-0279 FAX 714/535-5738  
 Info@Mason-Ind.com Info@MasonAnaheim.com

CERTIFIED FOR  
 JOB NAME :  
 CUSTOMER :  
 CUSTOMER P.O. :  
 MASON M.I. :  
 DWG. NO. :

TYPE  
**Z-1225**  
 All Directional  
 Seismic Snubber  
 Sizes 250-2000

## Z-1225 - 250 thru 2000



Horizontal, Vertical and 45° plotted Ratings are California OSHPD approved values having the OSHPD Anchorage Preapproval No. OPA-0196. Testing and calculations were performed to meet OSHPD criteria.

**To use approved OSHPD rated load curves:**  
 1) Calculate Vertical & Horizontal Forces on mounting including translations and overturning moments. 2) Plot Horizontal Load vs Vertical Load. The point must fall within the area below the OSHPD curve.

\* If Snubber Angles are to be secured by welding, they must be located over Beams or Steel Sole Plates

### TYPE Z-1225 1G ALL-DIRECTIONAL LOAD RATINGS and DIMENSIONS

**RENEWED**  
 California Office of Statewide Health Planning and Development  
**FIXED EQUIPMENT ANCHORAGE**  
**OPA-0196 January 6, 2003**  
 Valid for 3 Years Maximum  
 Bill Staehlin (916) 654-3362

**U.S.A. or British**  
 (lbs. & Inches)

**Metric**  
 (kgs. & mm)

Size	1G All Directional Load Ratings	A	AB	B	C	D	E	F	G	T	Equipment Base Anchor Bolt Size & Length
250	250 lbs	2	1/2	5	1 1/2	5/8	3	2 1/8	3 1/2	1/4	1/2" - 13UNC - 4"
500	500 lbs	2 3/4	1/2	7	2	5/8	4	2 3/8	4	1/4	5/8" - 11UNC - 6"
1000	1000 lbs	3	5/8	8	2 1/2	3/4	5	2 1/2	5	3/8	3/4" - 10UNC - 6"
2000	2000 lbs	5	3/4	12	3	7/8	6	3	6	1/2	3/4" - 10UNC - 6"
250	113 kgs	51	13	127	38	16	76	54	89	6	1/2" - 13UNC - 4"
500	227 kgs	70	13	178	51	16	102	60	102	6	5/8" - 11UNC - 6"
1000	454 kgs	76	16	203	64	19	127	64	127	10	3/4" - 10UNC - 6"
2000	907 kgs	127	19	305	76	22	152	76	152	13	3/4" - 10UNC - 6"

#### NOTES:

- Neoprene Bushings are 1/4" (6mm) thick throughout.
- Operating clearances are 1/4" (6mm).
- Set Base Anchors to protrude 3/4" (19mm) from face to face.
- A continuous rod, threaded on each end and protruding 3/4" (19mm) from both the faces of the base may be used to secure the threaded steel bushings in lieu of the individual Base Anchor Bolts.
- Normal clearance between base & floor is 1" (25mm).
- Distance from Base Anchor Bolt centerline to bottom of base is F minus 1".
- When 2" clearance between base and floor is specified, use 1" spacer plate under snubber angle.
- Earthquake restraining angles are to be installed after equipment is in operation to assure design clearances are maintained as follows:
  - Remove snubber bolt and washer.
  - Screw steel bushing on Base Anchor Bolt protrusion.
- Pass Restraining Angle over steel bushing so it is centered horizontally.
- Raise or lower base with spring adjustments or shim Restraining Angle so steel bushing is centered vertically.
- Set Restraining Angle so inside vertical face is 1/2" (13mm) clear of base and parallel to it.
- Mark and set AB anchor bolts or weld angle in position.
- Replace snubber bolt and washer and tighten in position.

#### CERTIFICATION DATA

---



---



---

DWN : \_\_\_\_\_ CHKD : \_\_\_\_\_ DATE : \_\_\_\_\_

DWG NO. : \_\_\_\_\_